

The body of motor and pump is made of rigid cast iron for long-lasting durability.
Greatly increased maximum submersion depth due to mechanical seal resistant to high pressure (0.5Mpa) .
Semi-open impeller made of high chrome alloy match with wear plate (ductile iron) achieves superior durability.
Effective motor cooling due to discharge channel cast as part of the motor housing. Space economy by a top outlet
Discharge 50mm (2") to 150mm (6"), motor 1.5Kw (2HP) to 11Kw(15HP).
Hermetically sealed motor equipped build-in thermal protection.



Specification

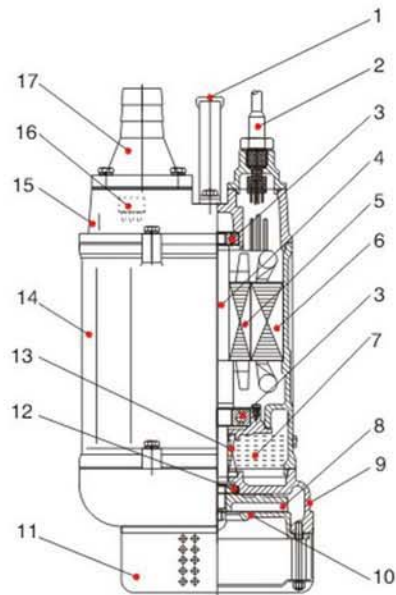
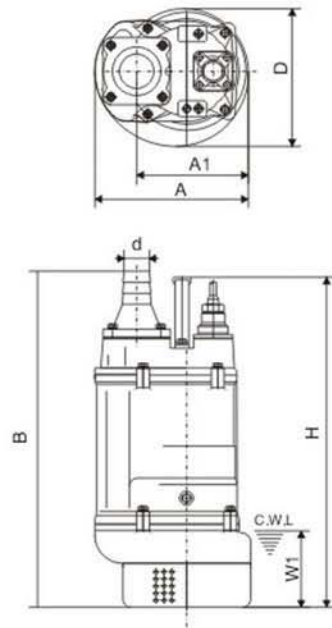
- Capacity: up to 147 m³/h
- Head: up to 51 meters
- Power: 1.5Kw(2HP) to 11 Kw (15HP)
- Power supply: three phase 380 V \pm 10%, 50Hz
- Insulation class: F
- Protection class: Ip68
- Cable: Length 8m
- Water temperature: up to 40°C
- Max. water depth: 50m

Application

- Civil engineering
- Mines, quarries, coal ore & slurries
- Sewage treatment plants
- General pumping purposes

Special features on request

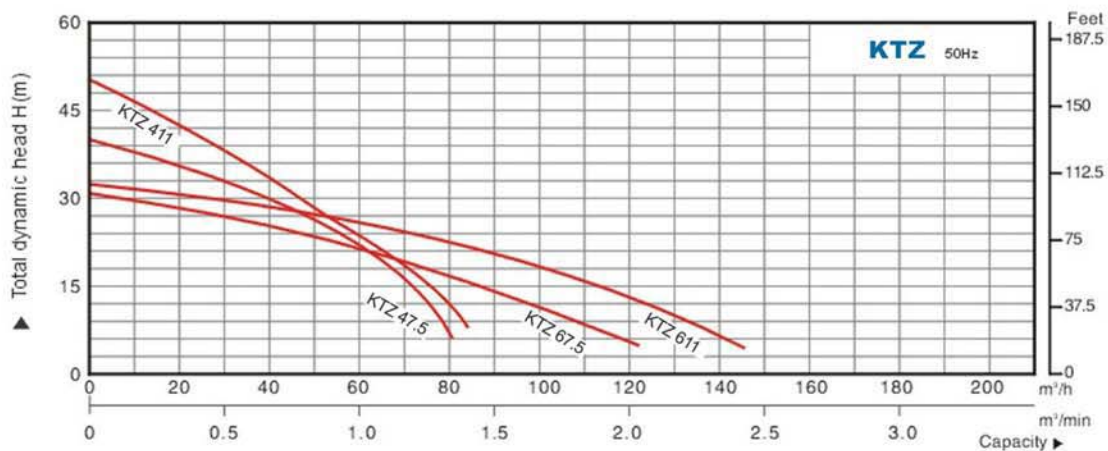
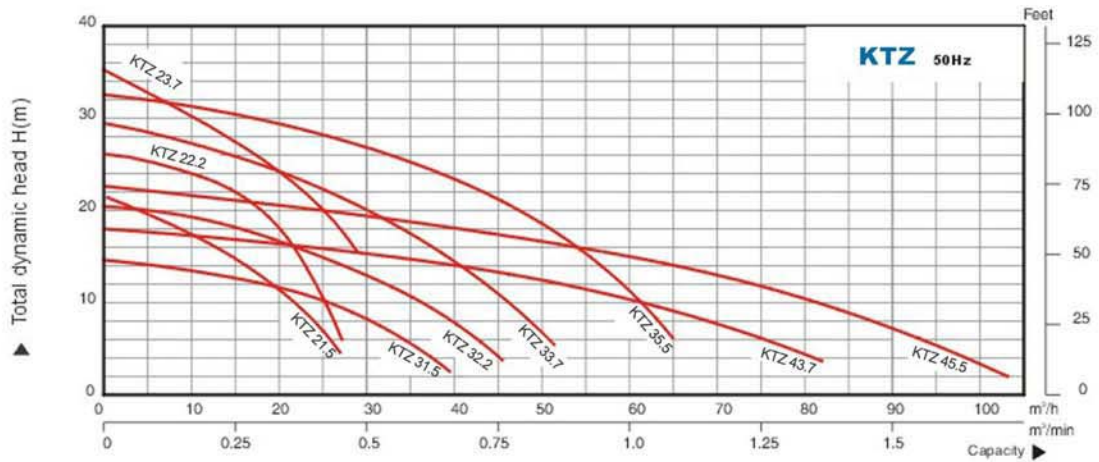
- Other voltages



Item No.	Part name	Material	Item No.	Part name	Material
1	Handle	Rubber & steel	10	End Plate	Ductile iron
2	Cable	2PNCT-F	11	Filter	Steel
3	Bearing	Ball Bearing	12	Oil seal bracket	
4	Shaft	AISI420SS	13	Mechanical seal	Sic-sic/Carbon-ceramics
5	Rotor		14	Motor body	Cast iron
6	Stator		15	Upper cover	Cast iron
7	Lube oil		16	Motor protector	
8	Impeller	High chrome alloy or ductile iron	17	Hose coupling	Cast iron
9	Pump body	Cast iron			

Model	d	A	A1	B	D	H	W1
KTZ21.5	50	235	173	517	216	486	120
KTZ31.5	80	235	173	517	216	486	120
KTZ22.2	50	235	173	517	216	486	120
KTZ32.2	80	235	173	517	216	486	120
KTZ23.7	50	283	208	628	252	638	150
KTZ33.7	80	283	208	628	252	638	150
KTZ43.7	100	283	208	642	252	638	150
KTZ35.5	80	306	218	671	259	688	150
KTZ45.5	100	306	218	686	259	688	150
KTZ47.5	100	330	240	764	314	676	190
KTZ411	100	373	255	807	350	695	190
KTZ67.5	150	330	240	790	314	676	190
KTZ611	150	373	255	807	350	695	190

Performance curves



Model(50Hz)	Outlet	Motor power		Max head	Max capacity		Impller passage	N. W	G. W	Packing dimension
	mm	Kw	HP	m	m ³ /h	m ³ /min	mm	Kg	Kg	mm
KTZ21.5	50	1.5	2	22	27.0	0.45	8.5	34.5	37.5	590X290X250
KTZ22.2	50	2.2	3	26.0	27.0	0.45	8.5	36	39	590 X 290 X 250
KTZ23.7	50	3.7	5	34.0	29.0	0.48	8.5	60	65	684 X 334 X 397
KTZ31.5	80	1.5	2	14.5	40.0	0.67	8.5	34.5	37	590 X 290X250
KTZ32.2	80	2.2	3	21.0	50.0	0.83	8.5	36	39	590X290X250
KTZ33.7	80	3.7	5	29.0	55.0	0.92	8.5	60	65	684X344X397
KTZ35.5	80	5.5	7.5	32.0	70.0	1.17	8.5	77	84	731X366X405
KTZ43.7	100	3.7	5	18.0	90.0	1.50	8.5	61	66	702X344X397
KTZ45.5	100	5.5	7.5	23.0	105.0	1.75	8.5	78	85	746X366X405
KTZ47.5	100	7.5	10	40.0	84.0	1.40	11.5	105	114	824X390X459
KTZ411	100	11	15	48.5	86.4	1.44	11.5	130	140	867X430X495
KTZ67.5	150	7.5	10	31.0	124.8	2.08	19.5	106	114	850X390X459
KTZ611	150	11	15	32.0	147.0	2.45	19.5	133	143	867X430X495